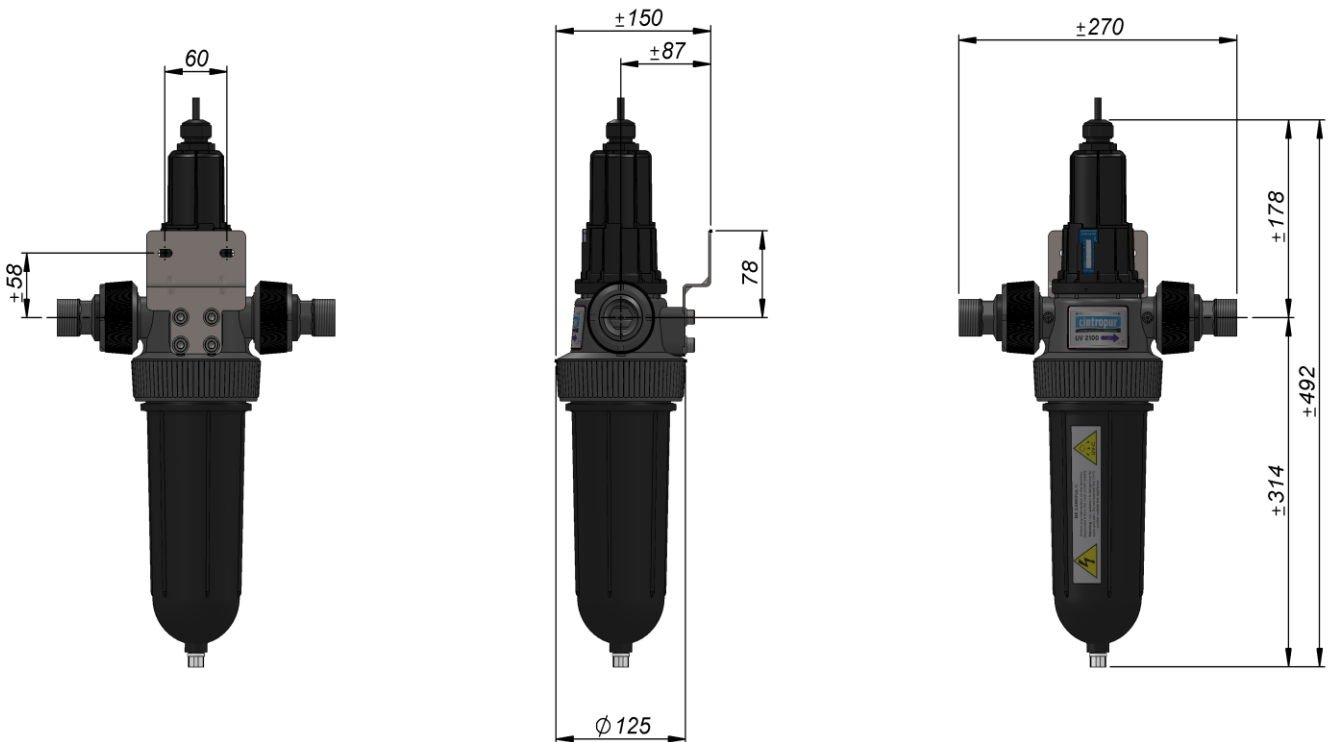
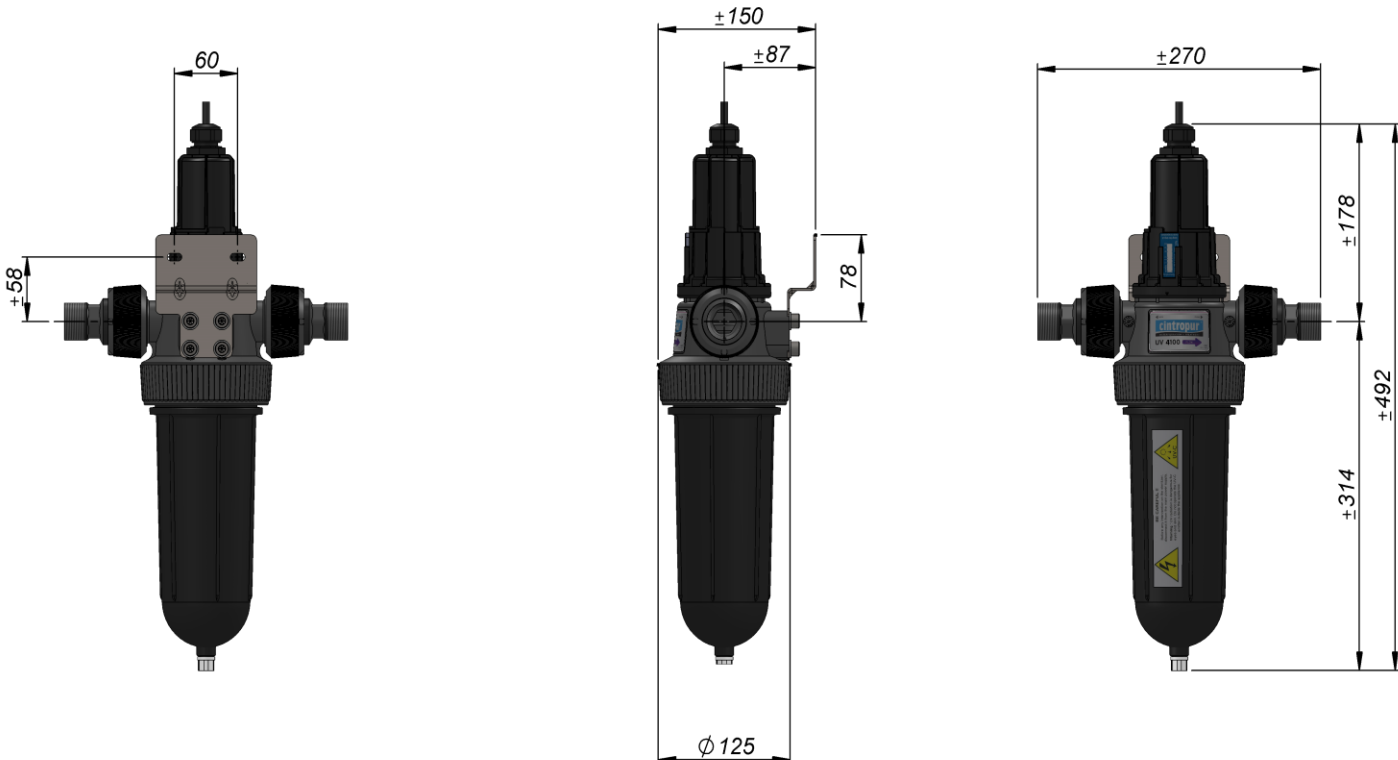


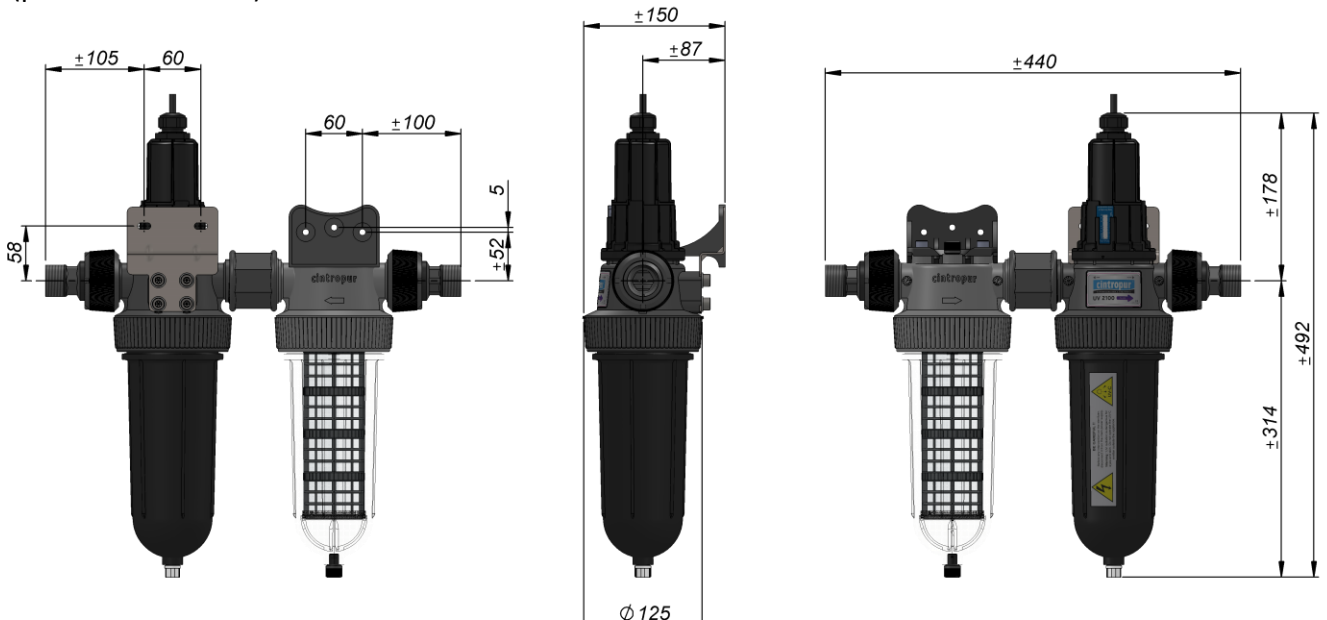
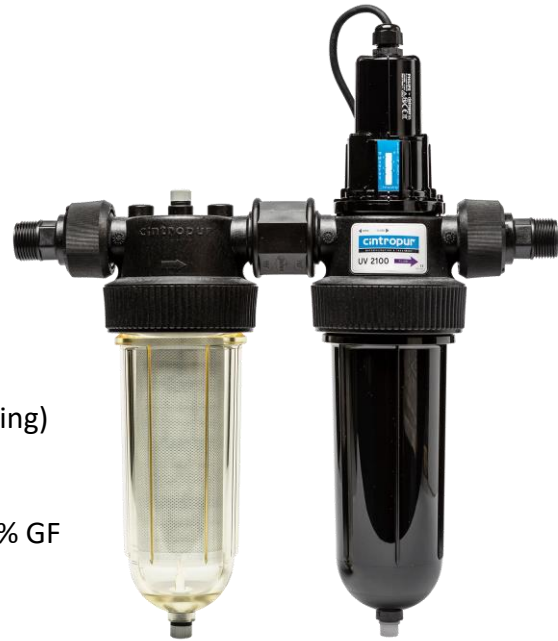
Filter type:	<b>UV 2100</b>
Connection diameter:	¾" and 1"
Advised flow (m³/h) at 25 mJ/cm²:	1,7
Advised flow (m³/h) at 40 mJ/cm²:	1,1
Working pressure (bar):	10
Max. operating pressure (bar):	16
Max. operating temperature (°C):	50
Weight (kg):	2,24 / 2,98 (with packaging)
Packaging in mm (L x W x H):	520 x 255 x 140
Quantity / pallet (units):	54
Filter head:	Polypropylene (PP) + 20% GF
Black bowl:	PET, coloured
Wrench:	ABS
Seal bowl/head:	O-ring butadiene-acrylonitrile (NBR)
Drain screw (under UV):	PVDF
UV-C lamp:	25W with security micro-switch
UV treatment chamber:	316 L stainless steel
Original equipment:	1 UV-C 25W lamp, 1 wrench, 1 stainless steel wall fixation + 2 connections ¾" + 2 connections 1"



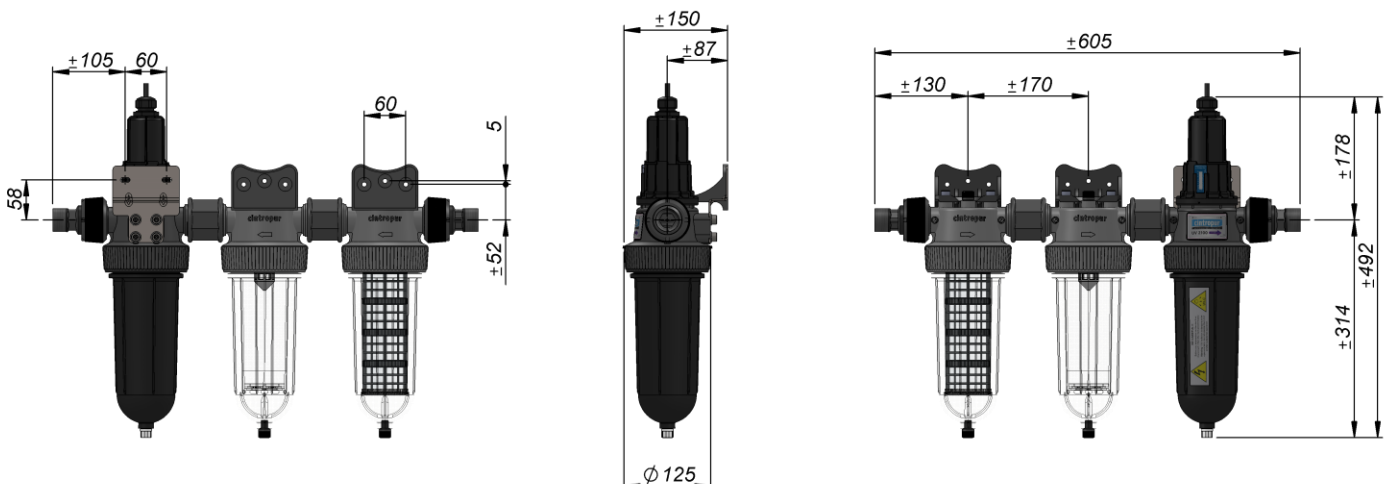
Filter type:	<b>UV 4100</b>
Connection diameter:	¾" and 1"
Advised flow (m³/h) at 25 mJ/cm²:	2,1
Advised flow (m³/h) at 40 mJ/cm²:	1,3
Working pressure(bar):	10
Max. operating pressure (bar):	16
Max. operating temperature (°C):	50
Weight (kg):	2,24 / 2,98 (with packaging )
Packaging in mm (L x W x H):	520 x 255 x 140
Quantity / pallet (units):	54
Filter head:	Polypropylene (PP) + 20% GF
Black bowl:	PET, coloured
Wrench:	ABS
Seal bowl/head:	O-ring butadiene-acrylonitrile (NBR)
Drain screw under UV:	PVDF
UV-C lamp:	40W with security micro-switch
UV treatment chamber:	316 L stainless steel
Original equipment:	1 UV-C 40W lamp, 1 wrench, 1 stainless steel wall fixation + 2 connections ¾" + 2 connections 1"




Filter type:	<b>DUO-UV</b>
Connection diameter:	¾" and 1"
Advised flow (m³/h) at 25 mJ/cm²:	1,7
Advised flow (m³/h) at 40 mJ/cm²:	1,1
Working pressure (bar):	10
Max. operating pressure (bar):	16
Max. operating temperature (°C):	50
Weight (kg):	3,05 / 4,70 (with packaging)
Packaging in mm (L x W x H):	525 x 470 x 140
Quantity / pallet (units):	33
Filter head:	Polypropylene (PP) + 20% GF
Transparent bowl:	SAN
Black bowl:	PET, coloured
Wrench:	ABS
Bowl seals:	O-ring butadiene-acrylonitrile (NBR)
Centrifugal vane + cap:	Polyethylene (PE)
Air drain screw:	Polyamide (PA) + Polyester (2K)
Drain screw under UV:	PVDF
Filtering support:	PP + 20% GF
Filtering sleeve:	Polyester (non-washable) or nylon (washable)
Filtration surface:	440 cm² with screen
UV-C lamp:	25W with security micro-switch
UV treatment chamber:	316 L stainless steel
Original equipment:	Filtering sleeve 25 µm, 1 UV-C 25W lamp, 1 wrench, 1 stainless steel wall fixation + 1 wall fixation made of PP + 2 connections ¾" + 2 connections 1"
Options:	drain cock ¼" nickel-plated brass, brass gauges 1/8"
Filtering fineness available (µm):	Non-washable : 1 - 5 - 10 - 25 - 50 - 100
(packs of 5 sleeves)	Washable : 150 - 300



Filter type:	<b>TRIO-UV 25W</b>
Connection diameter:	¾" and 1"
Advised flow (m³/h) at 25 mJ/cm²:	2
Advised flow (m³/h) at 40 mJ/cm²:	1,3
Working pressure (bar):	10
Max. operating pressure (bar):	16
Max. operating temperature (°C):	50
Weight (kg):	4,85 / 6,25 (with packaging)
Packaging in mm (L x W x H):	525 x 470 x 140
Quantity / pallet (units):	33
Filter head:	Polypropylene (PP) + 20% GF
Transparent bowl:	SAN
Black bowl:	PET, coloured
Wrench:	ABS
Bowl seals:	O-ring butadiene-acrylonitrile (NBR)
Centrifugal vane + cap:	Polyethylene (PE)
Air drain screw:	Polyamide (PA) + Polyester (2K)
Drain screw under UV :	PVDF
Filtering support:	PP + 20% GF
Filtering sleeve:	Polyester (non-washable) or nylon (washable)
CTN container for activated carbon:	SAN (body) 0,6 mm + PP with 20% GF (cap) 0,3mm
Filtration surface / volume:	440 cm² with screen + 0,57 L activated carbon
UV-C lamp:	25W with security micro-switch
UV treatment chamber:	316L stainless steel
Original equipment:	Filtering sleeve 25 µm, CTN filled with activated carbon, 1UV-C 25W lamp, 1 wrench, 2 wall fixations made of PP + 30% GF + 1 stainless steel wall fixation + 2 connections ¾" + 2 connections 1"
Options:	
Filtering fineness available (µm):	Non-washable : 1 - 5 - 10 - 25 - 50 - 100
(packs of 5 sleeves):	Washable : 150 - 300



Filter type:	<b>TRIO-UV 40W</b>	
Connection diameter:	¾" and 1"	
Advised flow (m³/h) at 25 mJ/cm²:	2,6	
Advised flow (m³/h) at 40 mJ/cm²:	1,6	
Working pressure (bar):	10	
Max. operating pressure (bar):	16	
Max. operating temperature (°C):	50	
Weight (kg):	4,85 / 6,25 (with packaging)	
Packaging in mm (L x W x H):	525 x 470 x 140	
Quantity / pallet (units):	33	
Filter head:	Polypropylene (PP) + 20% GF	
Transparent bowl:	SAN	
Black bowl:	PET, coloured	
Wrench:	ABS	
Bowl seals:	O-ring butadiene-acrylonitrile (NBR)	
Centrifugal vane + cap:	Polyethylene (PE)	
Air drain screw:	Polyamide (PA) + Polyester (2K)	
Drain screw under UV:	PVDF	
Filtering support:	PP + 20% GF	
Filtering sleeve:	Polyester (non-washable) or nylon (washable)	
CTN container for activated carbon:	SAN (body) 0,6 mm + PP avec 20% GF (cap) 0,3mm	
Filtration surface / volume:	440 cm² with screen + 0,57 L activated carbon	
UV-C lamp:	40W with security micro-switch	
UV treatment chamber:	316 L stainless steel	
Original equipment:	Filtering sleeve 25 µm, CTN filled with activated carbon, 1 UV-C 40W lamp, 1 wrench, 2 wall fixations made of PP + 30% GF + 1 stainless steel wall fixation + 2 connections ¾" + 2 connections 1" drain clock ¾" nickel-plated brass, brass gauges 1/8"	
Options:		
Filtering fineness available (µm): (packs of 5 sleeves)	Non-washable : 1 - 5 - 10 - 25 - 50 - 100 Washable : 150 - 300	

