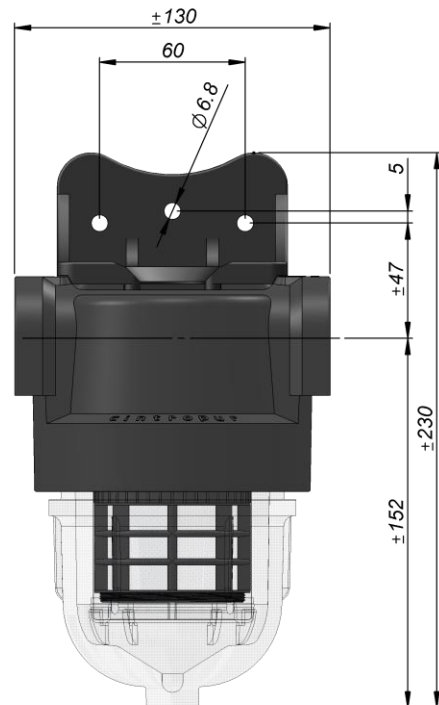
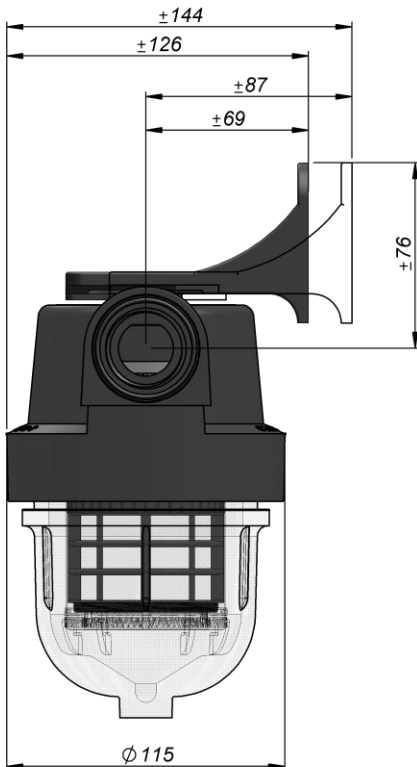


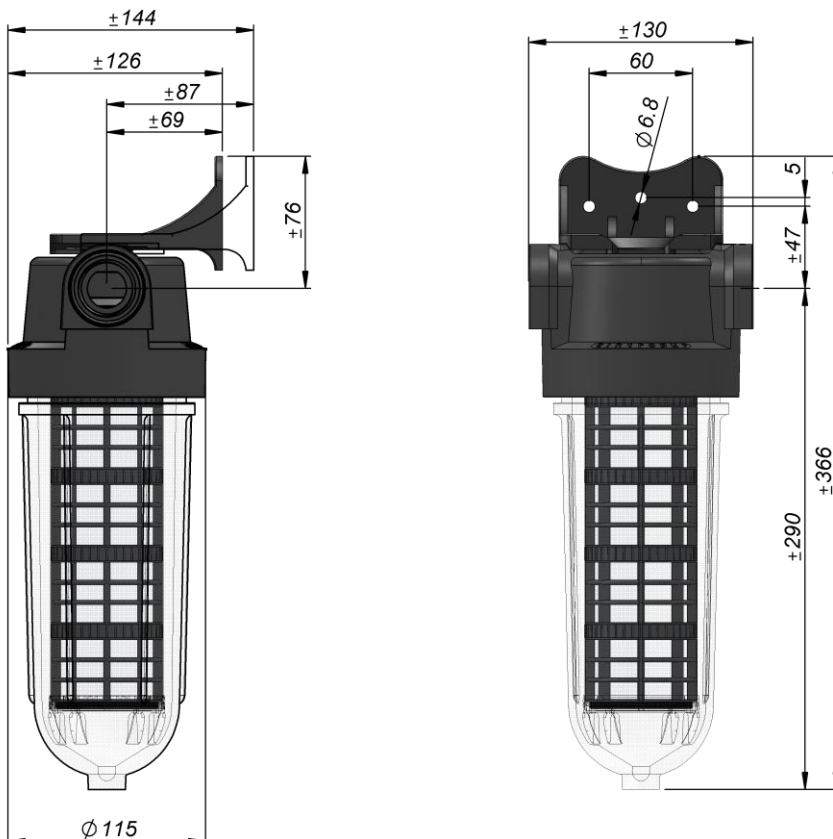


| | |
|--|--|
| Filter type: | SL160 |
| Connection diameter: | ¾ " |
| Average flow rate (m³/h): | 3 at ΔP 0,2 bar |
| Working pressure (bar): | 8 |
| Max. operating pressure (bar): | 12 |
| Max. operating temperature (°C): | 50 |
| Weight (kg): | 0,68 / 0,8 (with packaging) |
| Packaging in mm (L x W x H): | 180 x 140 x 125 |
| Quantity / pallet (units): | 336 |
| Filter head: | Polypropylene (PP) |
| Bowl: | SAN |
| Filtering support: | PP + 20% GF |
| Wrench: | ABS |
| Seals: | O-ring butadiene-acrylonitrile (NBR) |
| Centrifugal vane + cap: | Polyethylene (PE) |
| Filtering sleeve: | Polyester |
| Filtration surface (cm²): | 170 |
| Original equipment: | Filtering sleeve 25 µm, wrench, wall fixation in PP + 30% GF |
| Filtering fineness available (µm): (packs of 5 sleeves) | Non-washable: 5 - 10 - 25 - 50 - 100 |



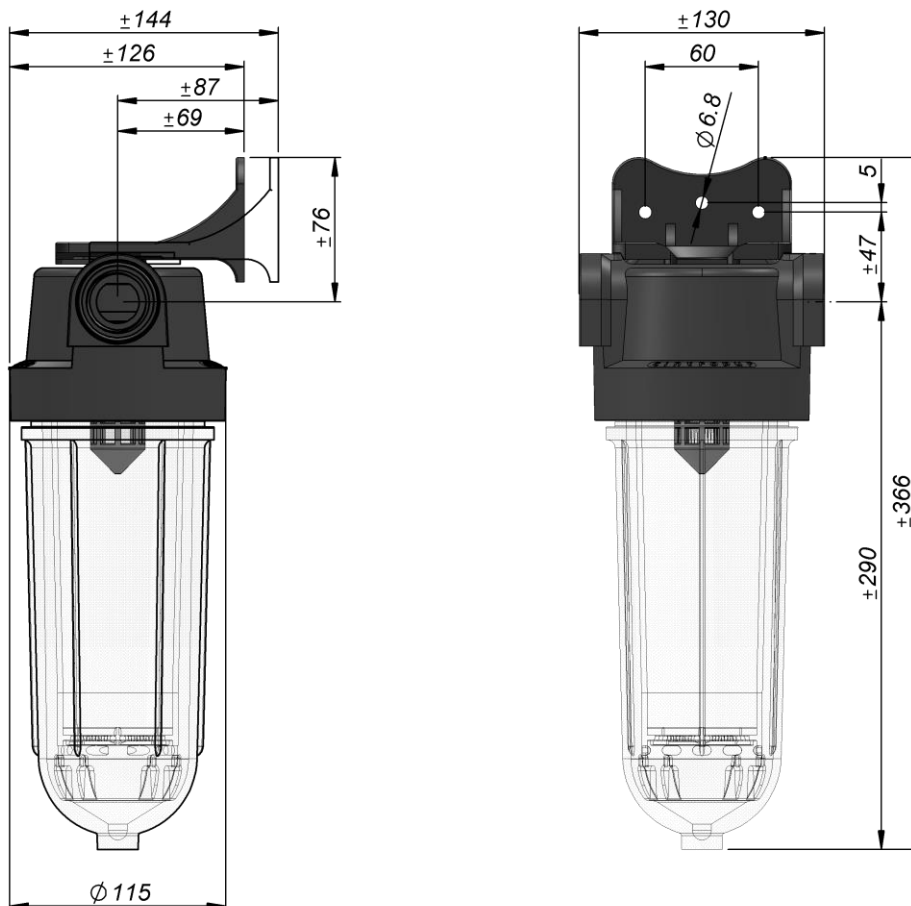


| | |
|------------------------------------|--|
| Filter type: | SL240 |
| Connection diameter: | ¾" or 1" |
| Average flow rate (m³/h): | 3,5 (¾") – 4,5 (1") at ΔP 0,2 bar |
| Working pressure (bar): | 8 |
| Max. operating pressure (bar): | 12 |
| Max. operating temperature (°C): | 50 |
| Weight (kg): | 0,9 / 1,05 (with packaging) |
| Packaging in mm (L x W x H): | 320 x 130 x 130 |
| Quantity / pallet (units): | 171 |
| Filter head: | Polypropylene (PP) |
| Bowl: | SAN |
| Filtering support: | PP + 20 % GF |
| Seals: | O-ring butadiene-acrylonitrile (NBR) |
| Centrifugal vane + cap: | Polyethylene (PE) |
| Filtering sleeve: | Polyester (non washable) or nylon (washable) |
| Wrench: | ABS |
| Filtration surface (cm²): | 440 |
| Original equipment: | Filtering sleeve 25 µm, wrench, wall fixation in PP + 30% GF |
| Filtering fineness available (µm): | Non-washable : 1 - 5 - 10 - 25 - 50 - 100 |
| (packs of 5 sleeves) | Washable : 150 - 300 |



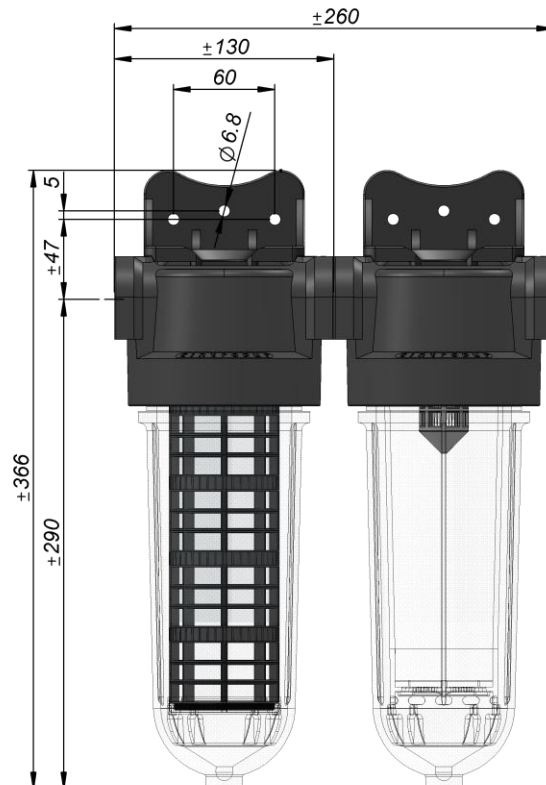
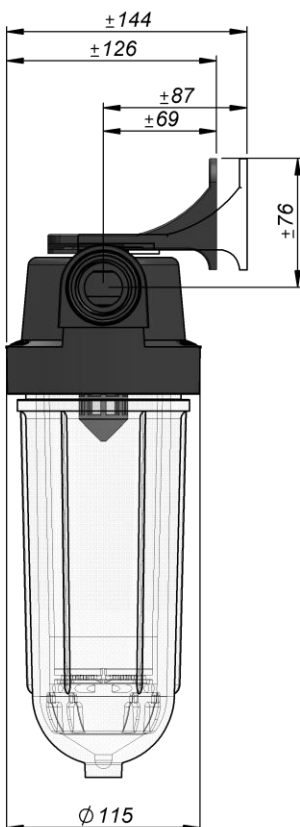


| | |
|-------------------------------------|---|
| Filter type: | SL240 TE-CTN |
| Connection diameter: | ¾" or 1" |
| Average flow rate (m³/h): | 0,5 at ΔP 0,2 bar |
| Working pressure (bar): | 8 |
| Max. operating pressure (bar): | 12 |
| Max. operating temperature (°C): | 50 |
| Weight (kg): | 1,23 / 1,42 (with packaging) |
| Packaging in mm (L x W x H): | 320 x 130 x 130 |
| Quantity / pallet (units): | 171 |
| Filter head: | Polypropylene (PP) |
| Bowl: | SAN |
| Wrench: | ABS |
| Seals: | O-ring butadiene-acrylonitrile (NBR) |
| CTN container capacity (litres): | 0,57 |
| CTN container for activated carbon: | SAN (body) 0,6 mm + PP with 20% GF (cap) 0,3mm |
| Original equipment: | CTN filled with activated carbon, wrench, wall fixation in PP + 30% GF |





| | |
|-------------------------------------|---|
| Filter type: | SL240 DUO-CTN |
| Connection diameter: | ¾" or 1" |
| Average flow rate (m³/h): | 0,5 at ΔP 0,2 bar |
| Working pressure (bar): | 8 |
| Max. operating pressure (bar): | 12 |
| Max. operating temperature (°C): | 50 |
| Weight (kg): | 1,85 / 2,37 (with packaging) |
| Packaging in mm (L x W x H): | 320 x 261 x 118 |
| Quantity / pallet (units): | 72 |
| Filter head: | Polypropylene (PP) |
| Bowl: | SAN |
| Wrench: | ABS |
| Filtering support: | PP + 20% GF |
| Seals: | O-ring butadiene-acrylonitrile (NBR) |
| Centrifugal vane + cap: | Polyethylene (PE) |
| Filtering sleeve: | Polyester (non-washable) or nylon (washable) |
| Filtration surface + capacity: | 440 cm² with sleeve + 0,57L with activated carbon |
| CTN container for activated carbon: | SAN (corps) 0,6 mm + PP avec 20% GF (couvercle) 0,3mm |
| Original equipment: | Filtering sleeve 25 µm, CTN filled with activated carbon, wrench, 2 wall fixations in PP + 30% GF |
| Filtering fineness available (µm): | Non-washable : 1 - 5 - 10 - 25 - 50 - 100 |
| (packs of 5 sleeves) | Washable : 150 - 300 |





| | |
|-------------------------------------|--|
| Filter type: | SL240 TRIO-CTN |
| Connection diameter: | 3/4" or 1" |
| Average flow rate (m³/h): | 0,5 at ΔP 0,2 bar |
| Working pressure (bar): | 8 |
| Max. operating pressure (bar): | 12 |
| Max. operating temperature (°C): | 50 |
| Weight (kg): | 3,05 / 3,33 (with packaging) |
| Packaging in mm (L x W x H): | 390 x 320 x 118 |
| Quantity / pallet (units): | 54 |
| Filter head: | Polypropylene (PP) |
| Bowl: | SAN |
| Filtering support: | PP + 20% GF |
| Seals: | O-ring butadiene-acrylonitrile (NBR) |
| Centrifugal vane + cap: | Polyethylene (PE) |
| Wrench: | ABS |
| Filtering sleeve: | Polyester (non-washable) or nylon (washable) |
| Filtration surface + capacity: | 440 cm² with sleeve + 0,57L with activated carbon |
| CTN container for activated carbon: | SAN (body) 0,6 mm + PP with 20% GF (cap) 0,3mm |
| Original equipment: | Filtering sleeve 100 μm + 25 μm, CTN filled with activated carbon, wrench, wall fixations in PP + 30% GF |
| Filtering fineness available (μm): | Non-washable : 1 - 5 - 10 - 25 - 50 - 100 |
| (packs of 5 sleeves) | Washable : 150 - 300 |

