



All rights reserved.

## RX

### Submersible DRAINAGE pumps

#### PERFORMANCE RANGE

- Flow rate up to **300 l/min (18 m<sup>3</sup>/h)**
- Head up to **20 m**

#### APPLICATION LIMITS

- **10 m** maximum immersion depth (with a sufficiently long power cable)
- Maximum liquid temperature **+50 °C** (Maximum liquid temperature **+90 °C** for a maximum of 3 minutes intermittent service)
- Passage of suspended solids up to **Ø 10 mm**
- Suction level:
  - **14 mm** above ground level for RX 1-2-3
  - **25 mm** above ground level for RX 4-5
- Continuous service **S1**

#### CONSTRUCTION AND SAFETY STANDARDS

The pumps are complete with:

- **5 m** long power cable for RX 1-2-3
- **10 m** long power cable for RX 4-5
- float switch for single-phase versions

**EN 60335-1**  
**IEC 60335-1**  
**CEI 61-150**

**EN 60034-1**  
**IEC 60034-1**  
**CEI 2-3**



#### CERTIFICATIONS

Company with management system certified DNV ISO 9001: QUALITY



#### INSTALLATION AND USE

The **RX** series pumps are suitable for use with **clear water** that does not contain abrasive particles.

Because of the design solutions that have been adopted, such as the complete cooling of the motor and the shaft with double seal, these pumps are easy to use and reliable.

They are suitable for use in fixed installations and applications such as draining small flooded areas (rooms, cellars, garages) in the event of an emergency, for the disposal of waste water in the home (from dishwashers, washing machines) and for emptying drainage traps.

#### PATENTS - TRADE MARKS - MODELS

- Patent n. EP2313658
- Patent n. IT0001428923

#### OPTIONS AVAILABLE ON REQUEST

- "**RX-GM**" pumps with a vertical float switch (suitable for particularly small wells)
- Special mechanical seal
- RX 1-2-3 pumps with a **10 m** long power cable.
  - ➔ N.B.: Standard EN 60335-2-41 states that the power cable must be 10 m long for outdoor applications
- Single-phase pumps without float switch
- Other voltages or 60 Hz frequency

**Manufactured by Pedrollo**



## RX

### DRÄNKBARA PUMPAR

#### PUMP PRESTANDA

- Flödeskapacitet upp till **300 l/min (18 m<sup>3</sup>/h)**
- Tryckhöjd **max. 20 mvp**

#### INSTALLATIONSBEGRÄNSNINGAR

- Max dränkdjup **10 mvp**  
(Med anpassad kabel)
- Max vätsketemperatur **+ 50 °C**
- Max fri passage fasta partiklar diam. **10 mm**
- Min sugnivå:
  - **14 mm** över golvnivå för (RX 1-2-3)
  - **25 mm** över golvnivå för (RX 4-5)
- Kontinguerlig service **S1**

#### KONSTRUKTION OCH SÄKERHETSSTANDARD

Pumparna levereras komplett med:

- **5 m** kabel för RX 1-2-3
- **10 m** kabel för RX 4-5
- Nivåvipa på 1-fas utförande

EN 60335-1  
IEC 60335-1  
CEI 61-150

EN 60034-1  
IEC 60034-1  
CEI 2-3



#### CERTIFIKAT

Company with management system certified DNV  
ISO 9001: QUALITY



#### INSTALLATION OCH ANVÄNDNING

Pumparna i **RX**-serien är avsedda att användas i **rent vatten** som inte innehåller slitande partiklar. Genom de designlösningar som har använts såsom full kylning av motor och axel med dubbla tätningar är dessa pumpar mycket pålitliga och lätta att använda. **RX** pumparna är passande för såväl fasta installationer som för dränering i akuta situationer såsom vid övervämmningar i mindre utrymmen, källare, garage, kök osv. I övrigt kan pumparna användas i alla tänkbara situationer där vatten måste pumpas bort exempelvis vid tömning av pooler, dammar mm.

#### PATENT - VARUMÄRKEN - MODELLER

- Patent n. EP2313658
- Patent n. IT0001428923

#### OPTIONER TILLGÄNGLIGA VID FÖRFRÅGAN

- "**RX-GM**" pumpar med vertikal nivåvipa. (Att använda i små utrymmen)
- Special mekanisk tätning
- RX 1-2-3 pump med **10m** kabel.
  - ➔ N.B.: Standard EN 60335-2-41 medför att **10m** kabel är ett krav vid installationer utomhus.
- 1-fas pumpar utan nivåvipa
- Andra spänningar eller 60 Hz Frekvens

Manufactured by Pedrollo





## RX TYHJENNYPUMPUT

Olkeudet muutoksiin pidätetään.

### SUORITUSKYKY

- Tuotto max. **300 l/min (18 m<sup>3</sup>/h)**
- Nostokorkeus **max. 20 m**

### RAJOITUKSET

- Maksimi upotussyvyys **10 m** (riittävän pitkällä virtajohtolla)
- Maksimi nesteen lämpötila **+ 50 °C** (Maksimi nesteen lämpötila **+ 90 °C** maksimissaan 3 minuutin ajan)
- Kiinteän aineen maksimiraekoko **ø 10 mm**
- lmutaso:
  - **14 mm** maanpinnan yläpuolella (RX 1-2-3)
  - **25 mm** maanpinnan yläpuolella (RX 4-5)
- Jatkuva toiminto **S1**

### RAKENNE JA TURVALLISUUSSTANDARDIT

Pumput toimitetaan:

- **5 m** virtajohtolla mallit RX 1-2-3
- **10 m** virtajohtolla mallit RX 4-5
- Pintakytkin yksivaihemalleissa

EN 60335-1  
IEC 60335-1  
CEI 61-150

EN 60034-1  
IEC 60034-1  
CEI 2-3



### SERTIFIKAATIT

Company with management system certified DNV ISO 9001: QUALITY



### ASENNUS JA KÄYTTÖ

**RX** -sarjan pumput soveltuvat **puhtaan veden** pumppaamiseen, joka ei sisällä karkeita partikkeleita. Suunnittelunsa ansiosta (mootorin jäähdytysjärjestelmä ja akselin kaksoistiiviste) nämä pumput ovat helppokäyttöisiä ja luotettavia.

Ne soveltuvat kiinteästi asennettaviksi esimerkiksi pieniin tulviin tiloihin (huoneet, kellarit, autotallit) hätätilanteita varten vedenpoistoon (astianpesukoneet, pesukoneet) ja vesilukkojen tyhjentämiseen lattiakaivosta.

### PATENTIT - TUOTEMERKKI - MALLIT

- Patenti n. EP2313658
- Patenti n. IT0001428923

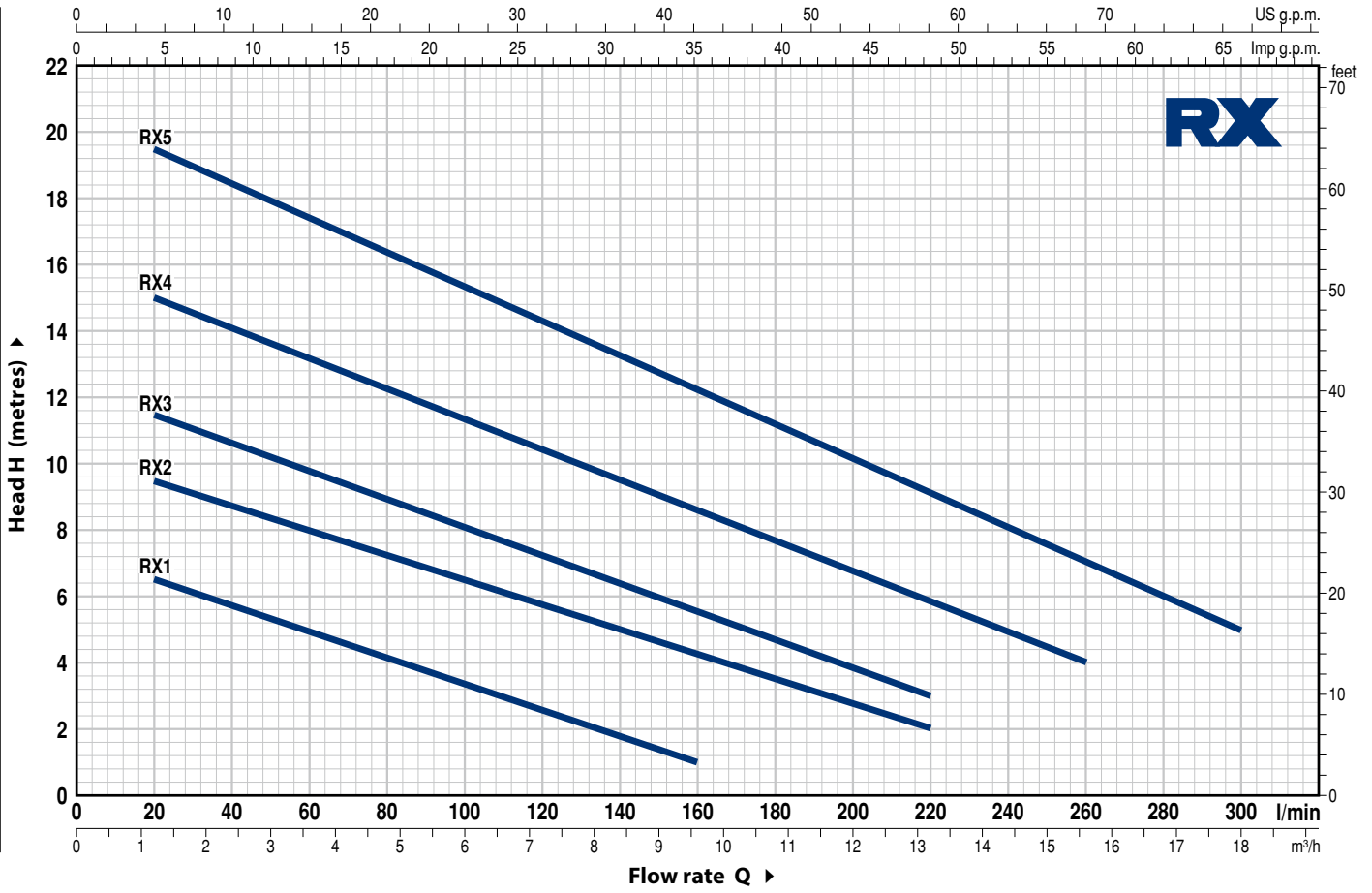
### SAATAVILLA PYYDETTÄESSÄ

- "**RX-GM**" pumput pystysuoralla pintakytkimellä (sopii erityisesti pieniin kaivoihin)
- Mekaaninen erikoistiiviste
- RX 1-2-3 pumput **10 m** pitkällä virtajohtolla.
  - ➔ N.B.: Standardi EN 60335-2-41 mukaan virtajohtoon on ulkotiloissa oltava vähintään **10 m**.
- Yksivaihepumput ilman pintakytkintä
- Muut jännitteet tai 60 Hz taajuus

Manufactured by Pedrollo

## CHARACTERISTIC CURVES AND PERFORMANCE DATA

**50 Hz n= 2900 min<sup>-1</sup>**



MODEL		POWER (P <sub>2</sub> )		Q	Flow rate													
Single-phase	Three-phase	kW	HP		m <sup>3</sup> /h	0	1.2	3.6	6.0	8.4	9.6	12.0	13.2	15.6	18.0			
				l/min	0	20	60	100	140	160	200	220	260	300				
RXm 1	RX 1	0.25	0.33	H metres	7.5	6.5	5	3.5	2	1								
RXm 2	RX 2	0.37	0.50		10	9.5	8	6.5	5	4.5	2.5	2						
RXm 3	RX 3	0.55	0.75		12	11.5	9.5	8	6.5	5.5	3.5	3						
RXm 4	RX 4	0.75	1		16	15	13	11.5	9.5	8.5	6.5	5.5	4					
RXm 5	RX 5	1.1	1.5		20	19.5	17.5	15.5	13.5	12.5	10	9	7	5				

Q = Flow rate H = Total manometric head

Tolerance of characteristic curves in compliance with EN ISO 9906 Grade 3B.

# RX 1-2-3

## POS. COMPONENT CONSTRUCTION CHARACTERISTICS

1	<b>PUMP BODY</b>	Stainless steel AISI 304 with threaded port in compliance with ISO 228/1
2	<b>SUCTION FILTER</b>	Stainless steel AISI 304
3	<b>DIFFUSER</b>	Stainless steel AISI 304
4	<b>IMPELLER</b>	Stainless steel AISI 304
5	<b>MOTOR CASING</b>	Stainless steel AISI 304
6	<b>MOTOR CASING PLATE</b>	Stainless steel AISI 304
7	<b>MOTOR SHAFT</b>	Stainless steel AISI 431

### 8 SHAFT WITH DOUBLE SEAL AND OIL CHAMBER

Seal Model	Shaft Diameter	Materials		
		Stationary ring	Rotational ring	Elastomer
STA-12R	Ø 12 mm	Ceramic	Graphite	NBR

9 **LIP SEAL** Ø 12 x Ø 19 x H 5 mm

10 **BEARINGS** 6201 ZZ / 6201 ZZ

### 11 CAPACITOR

Pump	Capacitance	
Single-phase	(230 V or 240 V)	(110 V)
<b>RXm 1</b>	<b>10 µF</b> 450 VL	<b>16 µF</b> - 250 VL
<b>RXm 2</b>	<b>10 µF</b> 450 VL	<b>16 µF</b> - 250 VL
<b>RXm 3</b>	<b>14 µF</b> 450 VL	<b>16 µF</b> - 250 VL

### 12 ELECTRIC MOTOR

**RXm:** single-phase 230 V - 50 Hz  
with thermal overload protector incorporated into the winding

**RX:** three-phase 400 V - 50 Hz

- Insulation: class F
- Protection: IP X8

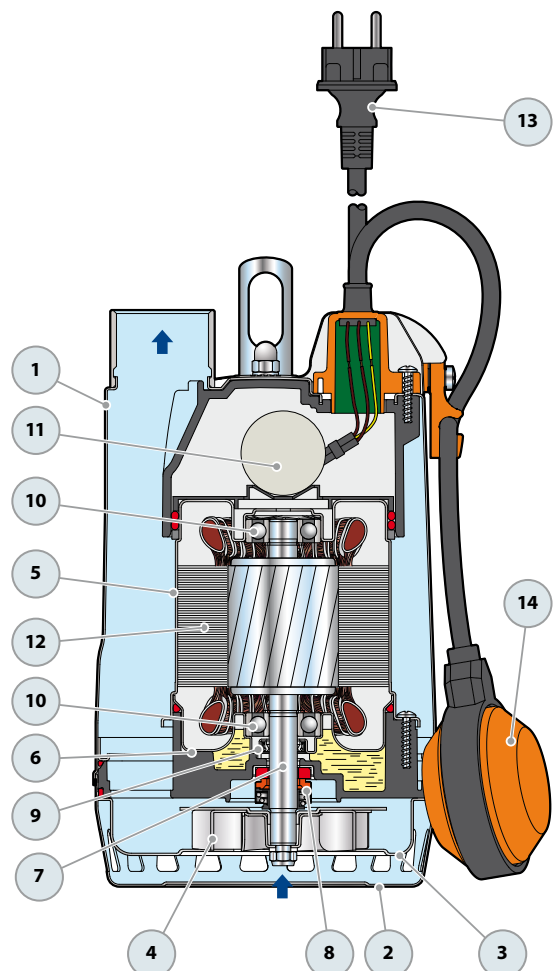
### 13 POWER CABLE

"H07 RN-F" type  
(with Schuko plug for single-phase versions only)

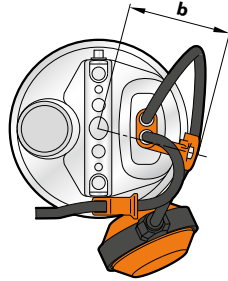
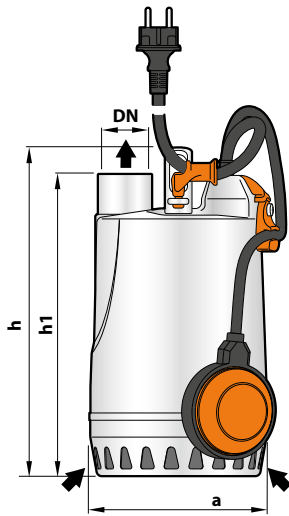
**Standard length 5 metres**

### 14 FLOAT SWITCH

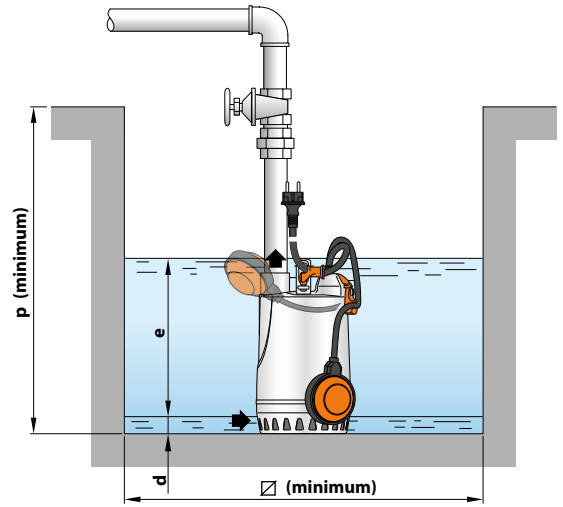
(Only for single-phase versions)



## DIMENSIONS AND WEIGHT

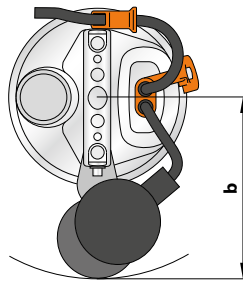
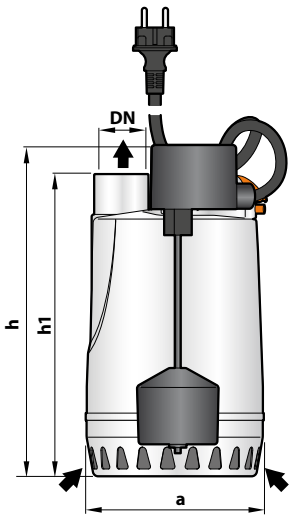


Standard installation

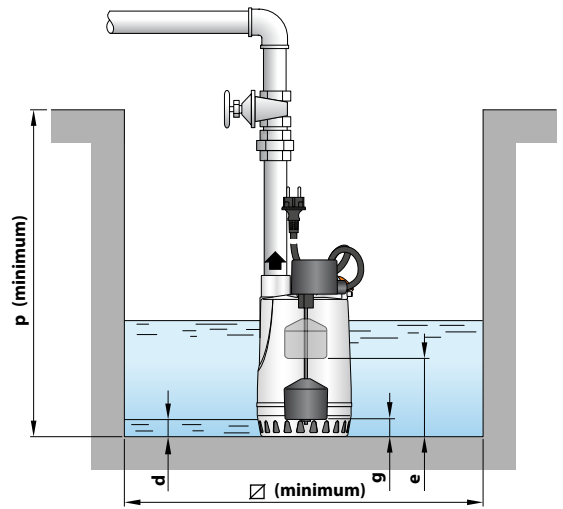


MODEL		PORT	DIMENSIONS mm								kg		PALLETIZATION	
Single-phase	Three-phase	DN	a	b	h	h1	d	e	p	Ø	1~	3~	GROUPAGE n. pumps	CONTAINER n. pumps
RXm 1	RX 1	1 1/4"	147	24	269	246	14	variable	350	350	6.1	5.5	96	144
RXm 2	RX 2				298	277					6.1	5.6	96	144
RXm 3	RX 3				7.6	7.0					96	144		

Version with vertical float switch



Standard installation



MODEL		PORT	DIMENSIONS mm								kg		PALLETIZATION	
Single-phase		DN	a	b	h	h1	d	e	g	p	Ø	1~	GROUPAGE n. pumps	CONTAINER n. pumps
RXm 1-GM		1 1/4"	147	150	270	247	14	145	40	350	240	6.2	80	120
RXm 2-GM					300	277		175	45			6.2	80	120
RXm 3-GM					7.5	80		120						

## ABSORPTION

MODEL	VOLTAGE		
Single-phase	230 V	240 V	110 V
RXm 1	1.5 A	1.4 A	3.0 A
RXm 2	2.0 A	2.0 A	4.0 A
RXm 3	3.6 A	3.4 A	7.2 A

MODEL	VOLTAGE			
Three-phase	230 V	400 V	240 V	415 V
RX 1	1.6 A	0.9 A	1.6 A	0.9 A
RX 2	1.7 A	1.0 A	1.7 A	1.0 A
RX 3	2.8 A	1.6 A	2.6 A	1.5 A

# RX 4-5

## POS. COMPONENT CONSTRUCTION CHARACTERISTICS

1	<b>PUMP BODY</b>	Stainless steel AISI 304 with threaded port in compliance with ISO 228/1				
2	<b>SUCTION FILTER</b>	Stainless steel AISI 304				
3	<b>DIFFUSER</b>	Stainless steel AISI 304				
4	<b>IMPELLER</b>	Stainless steel AISI 304				
5	<b>MOTOR CASING</b>	Stainless steel AISI 304				
6	<b>MOTOR CASING PLATE</b>	Stainless steel AISI 304				
7	<b>MOTOR SHAFT</b>	Stainless steel AISI 431				
8	<b>SHAFT WITH DOUBLE MECHANICAL SEAL SEPARATED BY AN OIL CHAMBER</b>					
	<b>Seal Model</b>	<b>Shaft Diameter</b>	<b>Position</b>	<b>Stationary ring</b>	<b>Rotational ring</b>	<b>Elastomer</b>
	MG1-14D SIC	Ø 14 mm	Motor side Pump side	Silicon carbide Silicon carbide	Graphite Silicon carbide	NBR NBR

9	<b>BEARINGS</b>	<b>6203 ZZ-C3E / 6203 ZZ-C3E</b>	
10	<b>CAPACITOR</b>		
	<b>Pump</b>	<b>Capacitance</b>	
	<i>Single-phase</i>	<i>(230 V or 240 V)</i>	<i>(110 V)</i>
	<b>RXm 4</b>	<b>20 µF 450 VL</b>	<b>30 µF - 250 VL</b>
	<b>RXm 5</b>	<b>25 µF 450 VL</b>	<b>30 µF - 250 VL</b>

**11 ELECTRIC MOTOR**

**RXm:** single-phase 230 V - 50 Hz  
with thermal overload protector incorporated into the winding

**RX:** three-phase 400 V - 50 Hz

- Insulation: class F
- Protection: IP X8

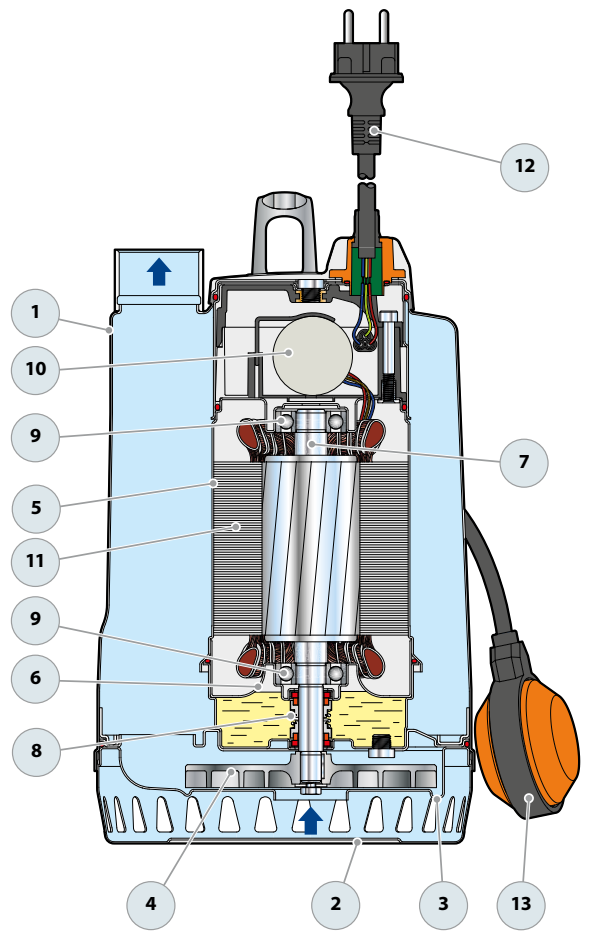
**12 POWER CABLE**

"H07 RN-F" type  
(with Schuko plug for single-phase versions only)

**Standard length 10 metres**

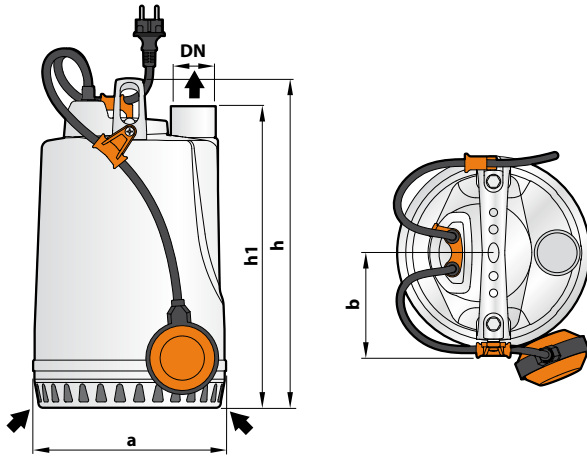
**13 FLOAT SWITCH**

Only for single-phase versions  
(Vertical float switch in the GM versions).

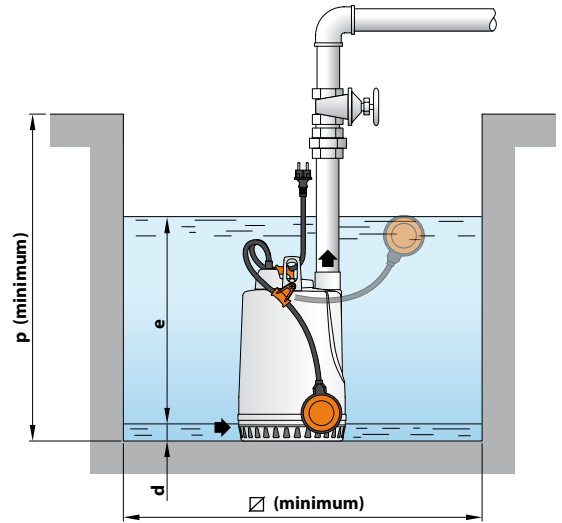




## DIMENSIONS AND WEIGHT

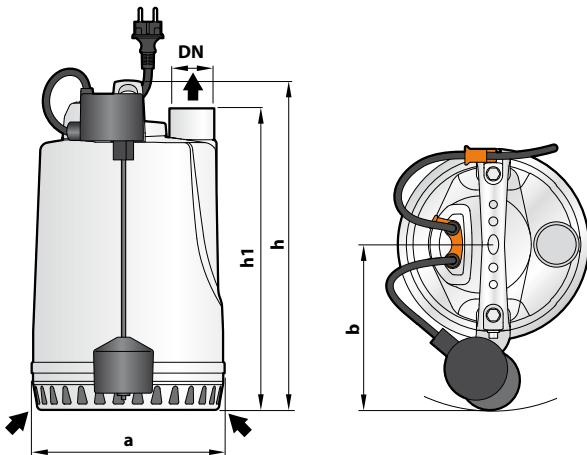


Standard installation

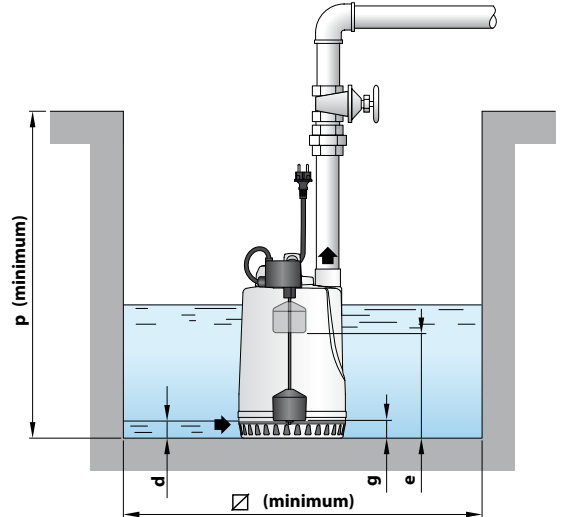


MODEL		PORT	DIMENSIONS mm								kg		PALLETIZATION	
Single-phase	Three-phase	DN	a	b	h	h1	d	e	p	Ø	1~	3~	GROUPAGE n. pumps	CONTAINER n. pumps
RXm 4	RX 4	1½"	220	118.5	370	336	25	variable	500	500	14.4	13.3	45	60
RXm 5	RX 5										15.4	14.4	45	60

Version with vertical float switch



Standard installation



MODEL	PORT	DIMENSIONS mm								kg	PALLETIZATION		
Single-phase	DN	a	b	h	h1	d	e	g	p	Ø	1~	GROUPAGE n. pumps	CONTAINER n. pumps
RXm 4 - GM	1½"	220	186.5	370	336	25	250	50	500	300	16.7	45	60
RXm 5 - GM											15.8	45	60

## ABSORPTION

MODEL	VOLTAGE	
Single-phase	230 V	240 V
RXm 4	5.9 A	5.9 A
RXm 5	7.5 A	7.5 A

MODEL	VOLTAGE			
Three-phase	230 V	400 V	240 V	415 V
RX 4	3.6 A	2.1 A	3.5 A	2.0 A
RX 5	6.1 A	3.5 A	5.9 A	3.4 A